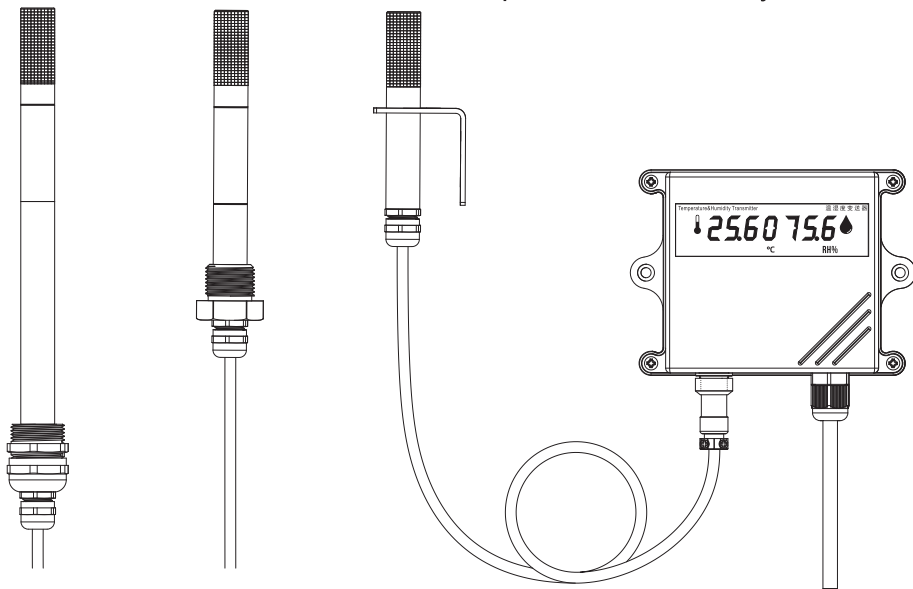


Temperature & Humidity Transmitter



Technical Parameters

Normal temperature type

Humidity: $0 \sim 100\% \pm 3\%$ ($10 \sim 90\%$, 25°C)

Temperature: $-40 \sim 80^{\circ}\text{C} \pm 0.3^{\circ}\text{C}$ ($-20 \sim 80^{\circ}\text{C}$)

High temperature type

Humidity: $0 \sim 100\% \pm 3\%$ ($10 \sim 90\text{RH}\%$, 25°C)

Temperature: $-40 \sim 120^{\circ}\text{C} \pm 0.3^{\circ}\text{C}$ ($-20 \sim 110^{\circ}\text{C}$)

Built-in type

Humidity: $0 \sim 100\% \pm 5\%$ ($10 \sim 90\text{RH}\%$, 25°C)

Temperature: $-40 \sim 120^{\circ}\text{C} \pm 0.5^{\circ}\text{C}$ ($-20 \sim 110^{\circ}\text{C}$)

Output: three-wire current $4\text{--}20\text{mA}$, accuracy 1% ,
load $500\ \Omega$; or three-wire voltage $0\text{--}10\text{V}$,
accuracy 1%

Communication: RS485 interface,
standard ModbusRTU protocol

Power supply: $24\text{VDC} \pm 10\%$, power consumption 2.5W

Product size: $117 \times 85 \times 42\text{mm}$

Response time: < 3 seconds

EMC: Burst of pulses 2000V ; ESD 8000V

IP: Host Device IP65

Description

This device is an industrial temperature and humidity transmitter. It can be equipped with internal probe and external probe to monitor the ambient temperature and humidity parameters. It can be transformed into current and voltage output or digital output using RS485 communication interface.

Electrical Connections

Red	24VDC	Red	24VDC
Black	0V(CommPort)	Black	0V(CommPort)
Green	T:Current/Voltage Comm:485A	Green	T Current
		Yellow	H Current
Yellow	H:Current/Voltage Comm: 485B	Blue	485A
		White	485B

Four Wires

Six Wires

Protocol

Parameter	Reg Addr	Data Type	Authority
Address	0000H	ushort,no decimal	RW
Baudrate	0001H	ushort,no decimal	RW
Parity	0002H	ushort,no decimal	RW
Stopbits	0003H	ushort,no decimal	RW
T Adjust	0004H	short,1 decimal	RW
H Adjust	0005H	short,1 decimal	RW
Temperature	0020H	short,1 decimal	RO
Humidity	0021H	short,1 decimal	RO

- Standard ModbusRTU

- Read Cmd 03H

- Write Cmd 10H

- Addr: 1-247(Init:1)

- Baudrate: (9600)

0:9600 1:19200

2:38400 3:57600

4:115200

- Parity: (No Parith)

0:No 1:Odd 2:Even

- Stopbits: (1 bit)

0:1bit 1:2bits

eg.: Read data (25.0°C, 40.0%)

Master: 01 03 00 20 00 02 C5 C1

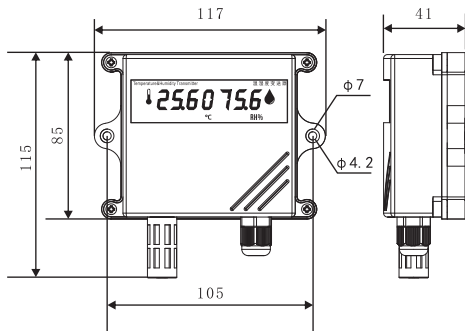
Slave: 01 03 04 00 FA 01 90 DB FE

eg.: Write adjusting data (0.2°C, 2.0%)

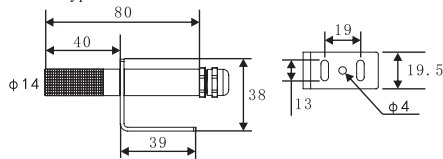
Master: 01 10 00 04 00 02 04 00 02 00 14 53 93

Slave: 01 10 00 04 00 02 00 09

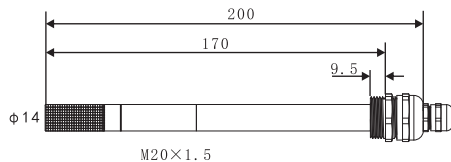
Dimension Unit: mm



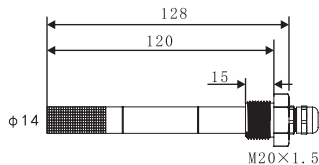
Bracket Type



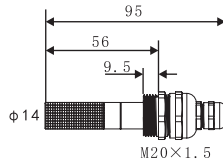
Active thread type(Long)



Sealing thread Type



Movable thread type(Short)



Accessory:



M4*30 Sheet Metal Screw



Wall Anchor: D6*30mm